

Triflex Gang Flail Mower

Flexible Large Area Mowing

For reliable and efficient mowing of large areas the Rytec Triflex offers the ideal solution. With three independently floating cutting heads the mower is available in either 4.2 or 5 metre cutting widths. The cutting height of each deck is controlled by a full width rear roller and a single front castor wheel and the decks are able to float in both the horizontal and vertical planes. The three decks are carried by a robust chassis unit which splits the tractors PTO power three ways to provide a reliable shaft drive to each head. Hydraulic rams allow the heads to be lifted from the ground and folded into a transport width of 2.25 metres for safe road transport. Mechanical auto locks prevent accidental lowering of the heads until released by the operator.



Triflex technology follows ground contours without scalping even when close cutting



Uniform spread of cuttings even in thick grass and wet weather with no blockages

Features

- 4.2 or 5 metre cutting widths
- Heavy duty gearboxes, oil immersed cross shaft and bearings
- Overrun clutch to protect drive line
- Wide angle PTO connection to tractor allowing mowing even on tight turns without PTO damage
- Easy cutting height control
- Easily folded in transport position by tractor hydraulics, supported by independent chassis with road wheels and full road lighting
- Fully floating to follow ground contours
- Triple V belt drive to flail rotors
- Remote greasing of flail rotor bearings
- Height adjustable castor wheels

- Full width height adjustable rear rollers
- Even spread of grass cuttings across full width of mower
- Choice of course/fine/heavy duty and scarifying flail to suit all applications
- Belt guard side protection
- Ability to mow with 1, 2 or all three heads for maximum flexibility
- Folds within the width and height of most tractors with auto locking system and low centre of gravity for safe and easy road transport between jobs
- Full adjustable drawbar with chassis and head mounted sprit levels allow matching of machine to any tractor quickly and easily



Operates on tractors from 70hp upwards

Triflex

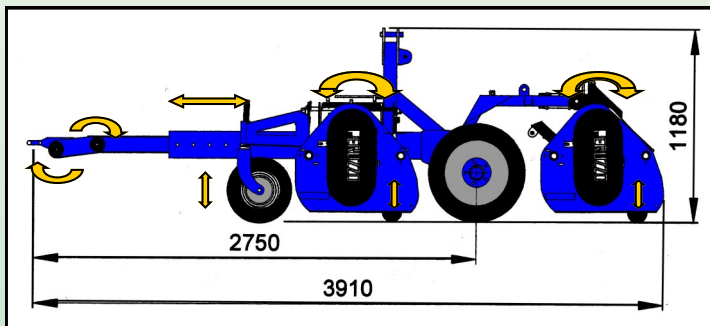


Simple changes to cutting height are all that are required to go from cutting playing fields to conservation areas

Designed and developed for commercial use

The Triflex is a combination of three identical and well tested conventional tractor mounted flails which have been mounted to a mowing/transport chassis. This chassis is designed to mimic the characteristics of a conventional tractor as when the mowing heads were used in their original form. In addition the chassis serves to carry the heads in a convenient 'package' for transport between jobs and also for storage when not in use. The floating linkage is cleverly designed to allow the mowing heads to move in both horizontal and vertical planes and to allow them to operate completely independently of each other. The Triflex can thus effectively mow even the most undulating ground. Adjustable drawbar height, chassis and head mounted spirit levels allow for the operator to quickly match the Triflex to the tractor driving it.

Dimensions



Transport width 2.25m



Heavy duty hammer flail fitted as standard



High quality finish, even spread of cuttings and excellent ground following characteristics without scalping

Specifications

Model	Width of cut mm	Weight kg	No. of hammer flails	Minimum tractor hp	Anti-scalp wing deck castor kit
Triflex 4200	4200	1700	72	70	Optional
Triflex 5000	5000	1800	84	80	Standard

Standard specification is for 1000rpm. Optional gearbox to convert to 540 rpm PTO